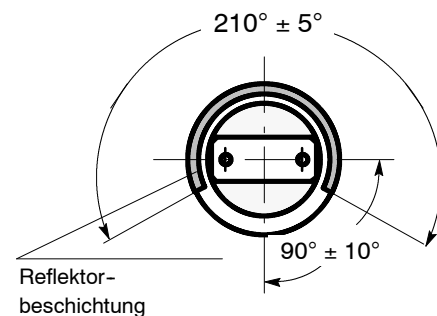
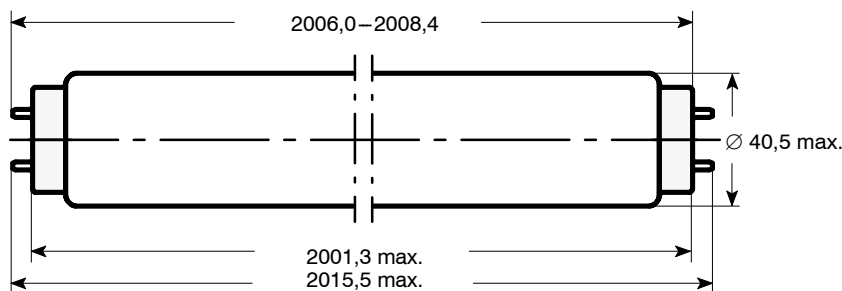


DIMENSIONS [mm] :

Nominal dimensions: 2015,5 x 38



Base: G13 (IEC 61-1 Blatt 7004-51-7)

ELECTRICAL DATA (at 25° C)

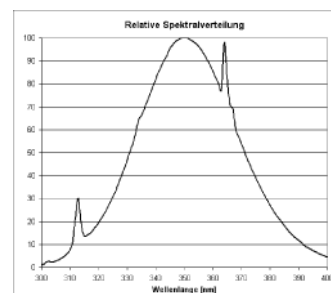
	NOMINAL VALUE	Min.	Max.
Frequency [Hz] :	50		
Lampe nominal wattage [W] :	230		
Lampe rated voltage [rms] [V] :	120	108	132
Lamp current [mA] :	1750	1200	2000
Preheat current [mA] :	2300	1750	2700

OPERATING CONDITIONS

Cap rim temperature [°C] :	140 Max.
Burning position :	any
Preheat : Starter/Ballast (recommended) :	Philips S16/COS 200

PHYSICAL DATA (typical values) *

UVA-Flux [W] :	51
UVA-Irradiance ¹⁾ (315-400nm) [mW/cm ²] :	2.6
UVB/UVA-Ratio (UVB: 280-315 nm) EU :	3.6 %
UVB/UVA-Ratio (UVB: 280-320 nm) US :	6.0 %
Sun Erythema Factor ¹⁾ (f _{SE}) :	0.48
E _{er} ¹⁾ (250-400nm) [mW/m ²] :	145
E _{er} ¹⁾ (250-320nm) [mW/m ²] :	123
E _{er} ¹⁾ (321-400nm) [mW/m ²] :	22
E _{NMSC} ¹⁾ (250-320nm) [mW/m ²] :	260
E _{NMSC} ¹⁾ (320-400nm) [mW/m ²] :	23
UVA-Irradiance ²⁾ [mW/cm ²] :	32
Lamp color :	UV-Blue
Useful Life ⁵⁾ [h] :	1000


Exposure for different UVA-Irradiance²⁾

UVA-Irradiance [mW/cm ²]	UV-Appliance Type ³⁾	Initial Exposure Time ⁴⁾ [in minutes]	Maximum Exposure Time [in minutes]		
			Skin Type 2	Skin Type 3	Skin Type 4
28	-	1	2.5	3.5	4.5
32	-	1	2	3	4
36	-	1	2	2.5	3.5

REMARKS:

Lamps comply with the requirements of EN 60081 and EN 61195, respectively.

Starter and ballast must comply with EN 60155, EN 60921, respectively.

¹⁾ Single lamp (aged for 5h), distance 25 cm, at 25° C thermal equilibrium.

²⁾ Typical UVA-Irradiance of tanning beds.

³⁾ acc. DIN 5050-1

⁴⁾ acc. EN 60335-2-27

⁵⁾ UV-Output (based on 5 h value) : > 70%

⁶⁾ acc. DIN EN 61228

Please read and follow the user instructions.

* measured at 180W

Issued by : Havells Sylvania
 Date : 23.09.2009
 Revision Date :

DATA SHEET

Specification No.: 51P-6356
 Supersedes :
 Page 1 of 1